

# GARDU SUSUN



THIS DRAWING ONLY FOR VISUAL ARRANGEMENT  
DIMENSION, PATTERN AND WEIGHT WILL BE FIXED AFTER PO RELEASED

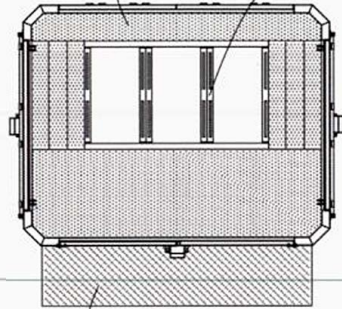
## PT. SYMPHOS ELECTRIC

Jl. Raya Agarindo No.10, Kel. Bunder Kec. Cikupa, Tangerang - Banten 15710  
Phone : +62 21 5971 2088, 5971 2089, 5971 2039 - Fax : +62 21 5971 2039  
Email : [marketing@symphos-weltraf.com](mailto:marketing@symphos-weltraf.com) | Instagram : @symphosweltraf  
[www.symphoselectric.com](http://www.symphoselectric.com)

**MADE IN INDONESIA**

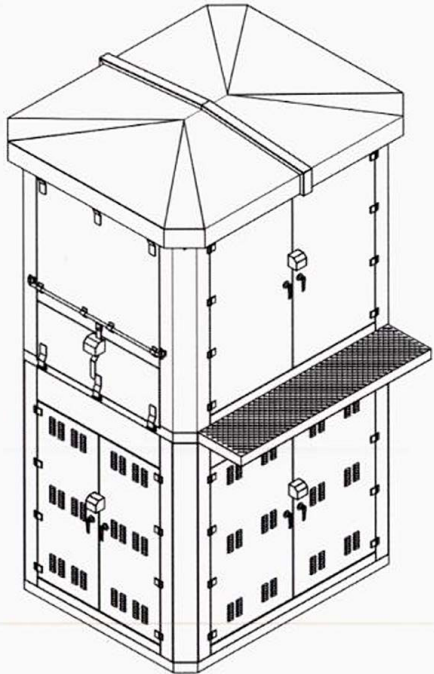
PIJAKAN OPERASIONAL DALAM PELAT BERLUBANG

DUDUKAN TRANSFORMATOR UNP 100

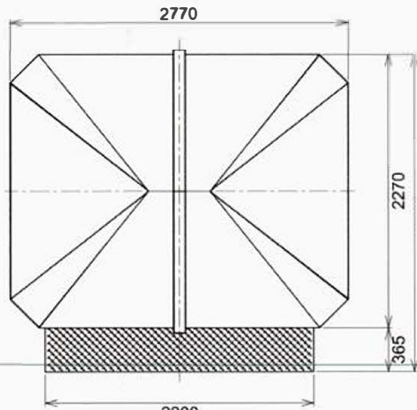


SECTION A-A

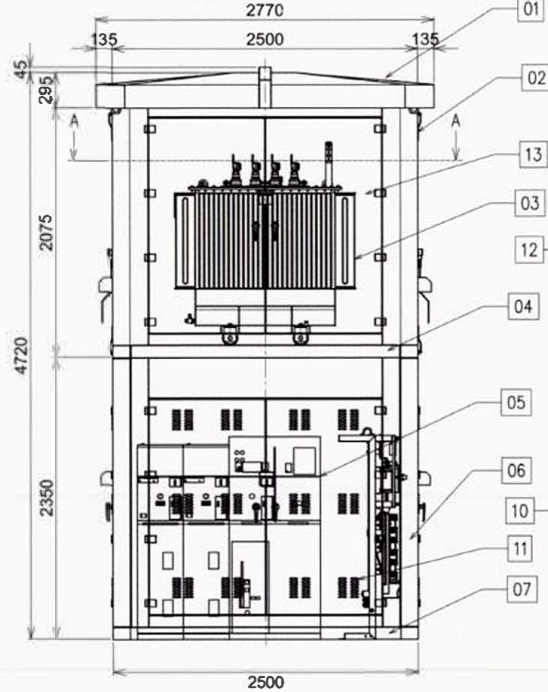
PIJAKAN OPERASIONAL LUAR PELAT BORDES



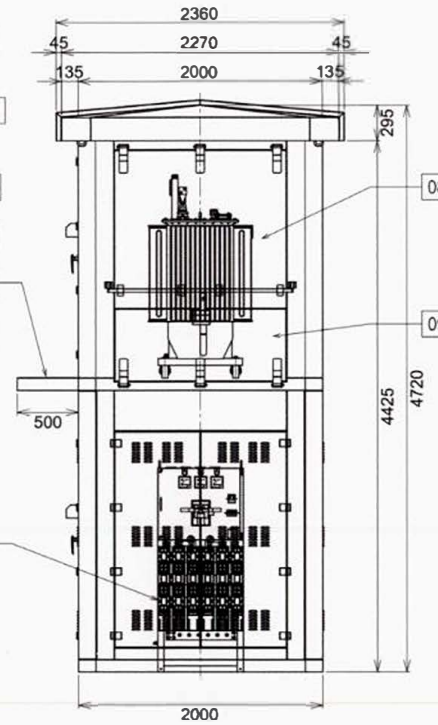
PANDANGAN ISOMETRIK



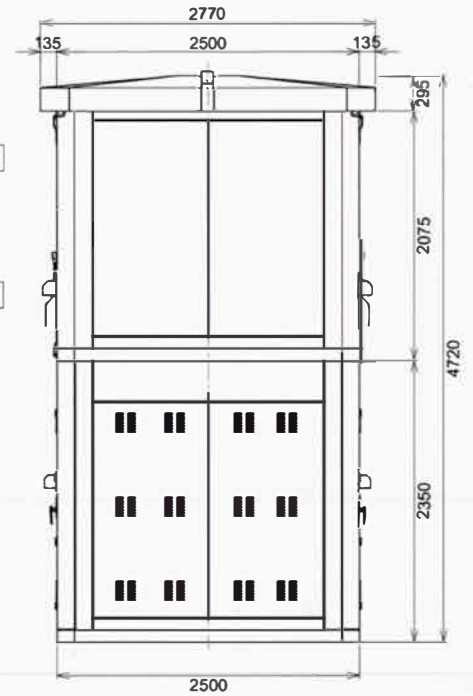
2200  
PANDANGAN ATAS  
2770



PANDANGAN DEPAN



PANDANGAN SAMPING



PANDANGAN BELAKANG

NO	PART NAME	QTY	REMARKS
01	Atap	1	ALUMINIUM 2.0 T
02	Rangka Selungkup Atas	1	UNP 100 HOT DIP GALVANIZED
03	Transformator	1	400 kVA s/d 630 kVA
04	Rangka Bagian Tengah	1	UNP 100 HOT DIP GALVANIZED
05	Kubikel 3 Cell	1	DISEDIAKAN PLN
06	Rangka Selungkup Bawah	1	UNP 200 HOT DIP GALVANIZED
07	Rangka Bagian Bawah	1	UNP 100 HOT DIP GALVANIZED
08	Pintu Samping atas O1	2	ALUMINIUM 2.0 T
09	Pintu Samping Atas O2	2	ALUMINIUM 2.0 T + BORDES
10	PHB-TR	1	PASANGAN DALAM
11	Pintu Selungkup Depan Bawah	1	ALUMINIUM 2.0 T
12	Pijakan Operasional	1	UNP 100 HOT DIP GALVANIZED + BORDES ALUMIUM
13	Pintu Selungkup Depan Atas	1	ALUMINIUM 2.0 T

REV	ITEM	DATE	NAME	DATE	NAME
				DESIGNED	08-09-21 PYN
				DRAWN	08-09-21 PYN
				CHECKED	08-09-21 PYN
				APPROVED	08-09-21 PRN

CUSTOMER :	PT. PLN (PERSERO)
DRAWING CODE :	PG6-3SV1

<p><b>WELTRAF</b> transformer PT. SYMPHOS ELECTRIC</p>	DRAWING TITLE :	PRELIMINARY OUTLINE DRAWING GARDU SUSUN
--	-----------------	---

ORDER	PAGE
	01
SCALE :	1:60

THIS DRAWING ONLY FOR VISUAL ARRANGEMENT  
DIMENSION AND WEIGHT WILL BE FIXED AFTER PO RELEASED

023/POR/G/x/2021